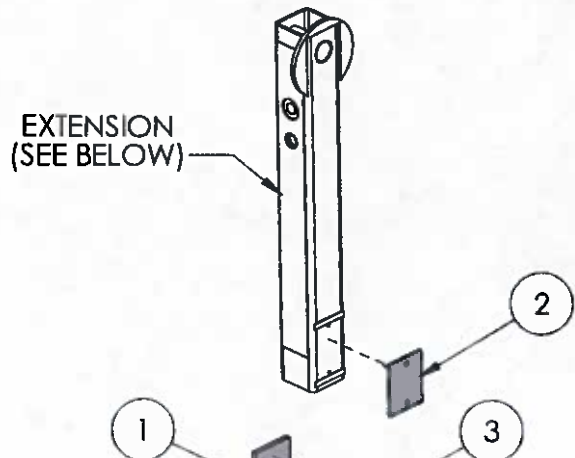
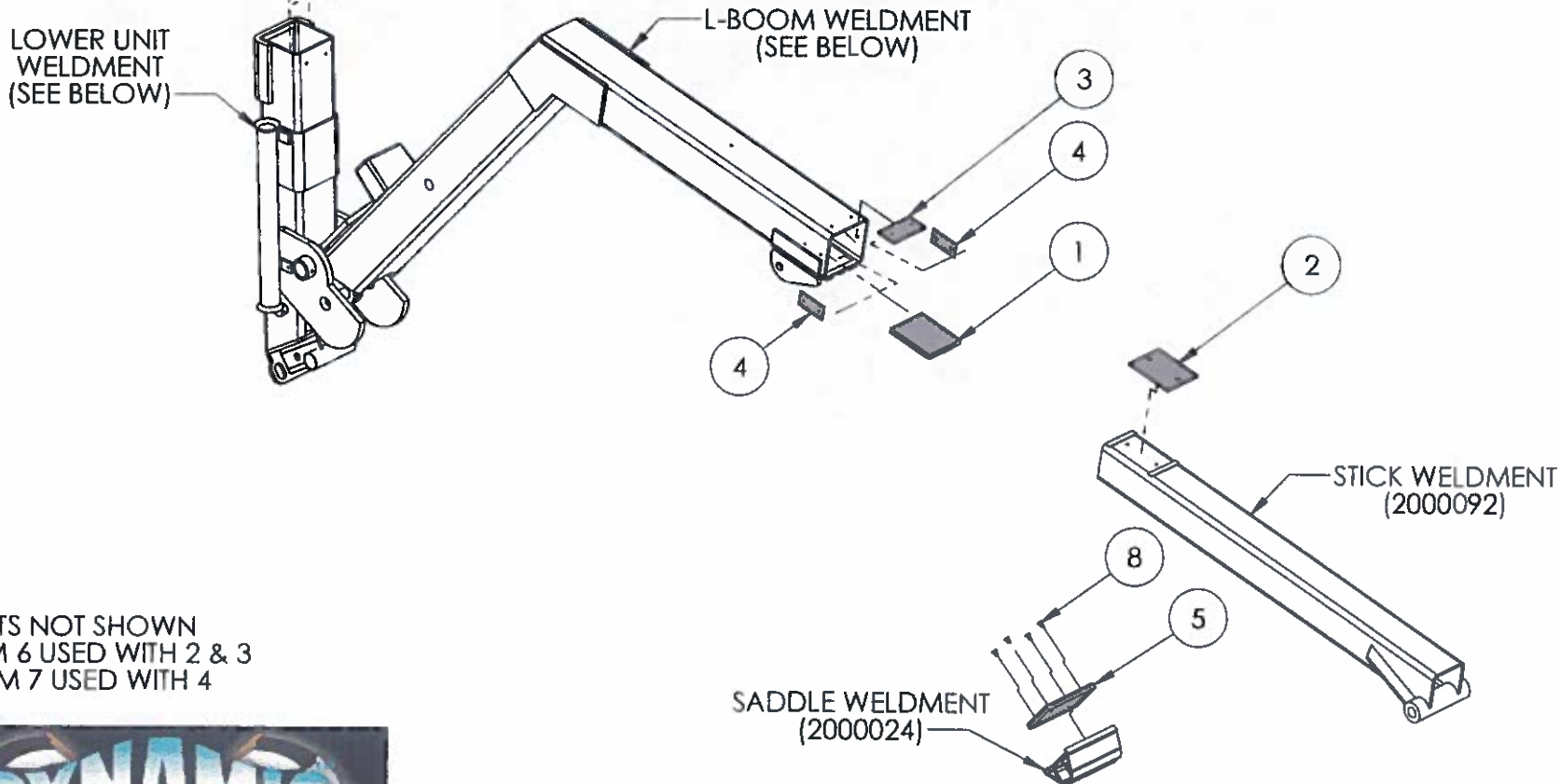


601 WEAR PAD INSTALLATION



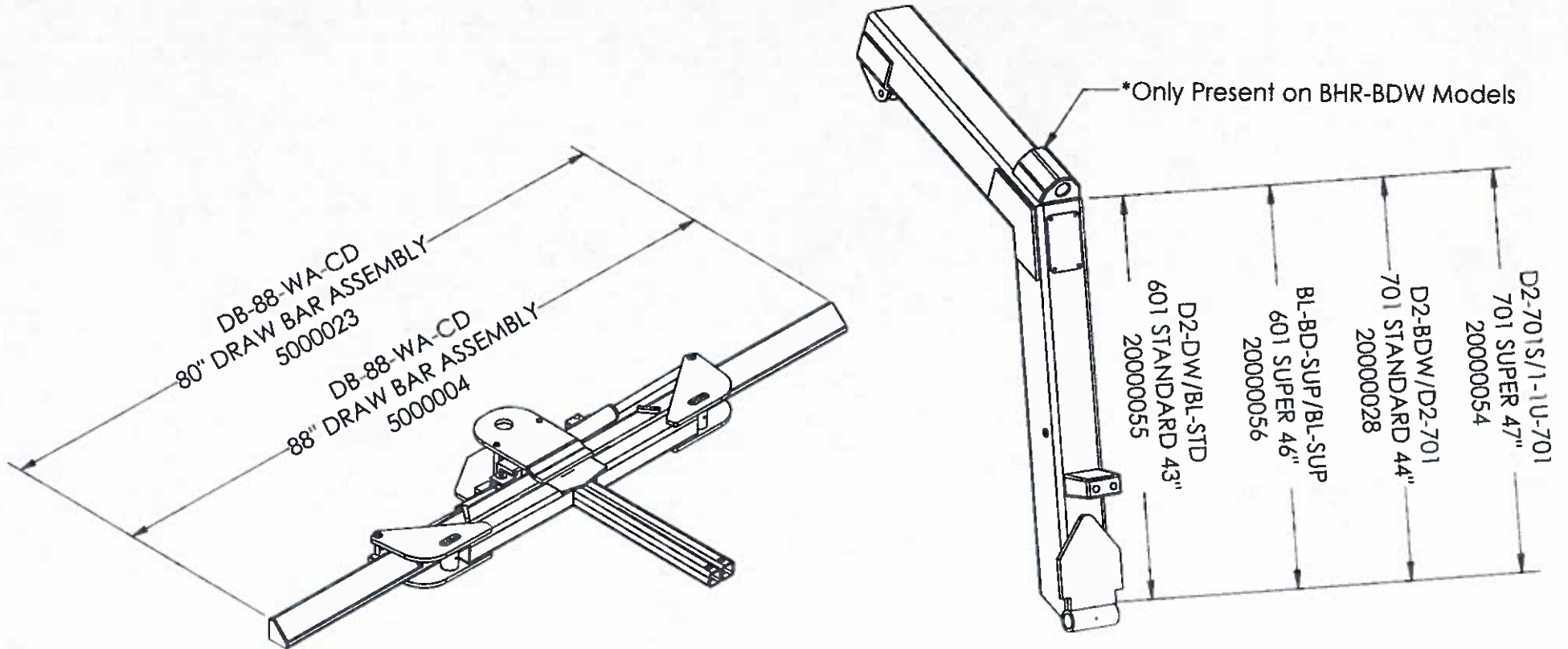
ITEM NO.	SALES NO.	PART NUMBER	DESCRIPTION	QTY
1	LU-1	4000005	3/8" x 3 13/16" x 5" WEAR PAD	2
2	ST-1	4000047	1/4" x 3 13/16 x 5" WEAR PAD	2
3	LU-2	4000049	1/4" x 2" x 4" WEAR PAD	2
4	ST-2	4000048	13/16" x 1.5" x 3" WEAR PAD	2
5	LU1-INT	1000444	1/2" x 3 13/16" x 6" WEAR PAD	1
6*		4000061	3/16" x 11/16" WEAR PAD RIVET	8
7**		4000062	3/16"x1/2" WEAR PAD RIVET	4
8		4000007	COUNTER SUNK HEAD CAP SCREW 1/4" x 1/2"	4



RIVETS NOT SHOWN
 *ITEM 6 USED WITH 2 & 3
 **ITEM 7 USED WITH 4

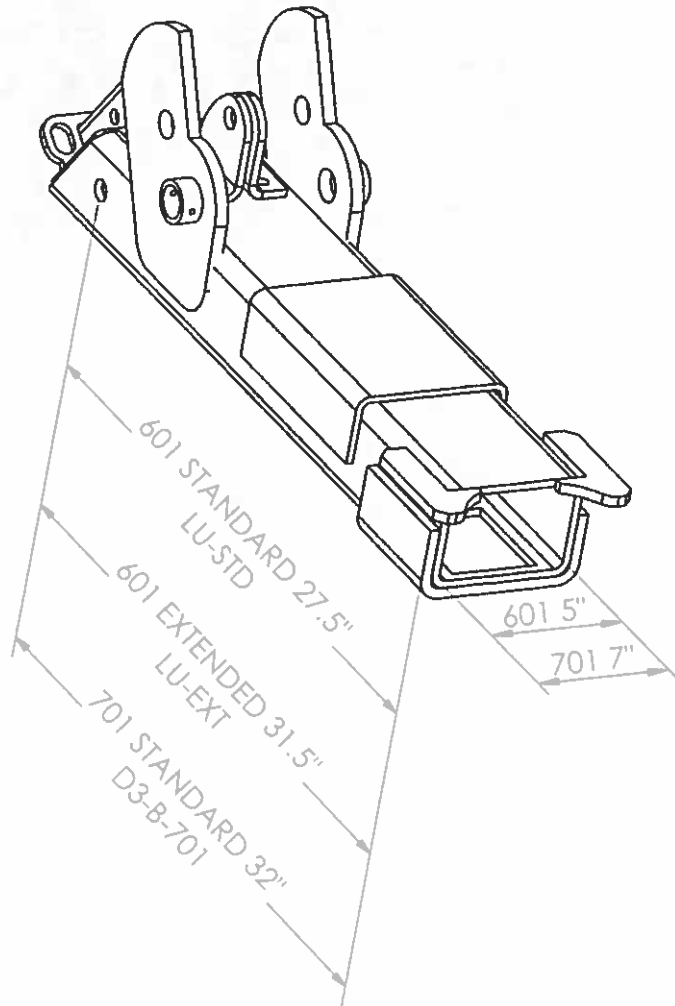


DRAW BAR AND L-BOOM VARIATIONS



601/701 LOWER UNITS AND EXTENSIONS

LOWER UNIT



EXTENSION

