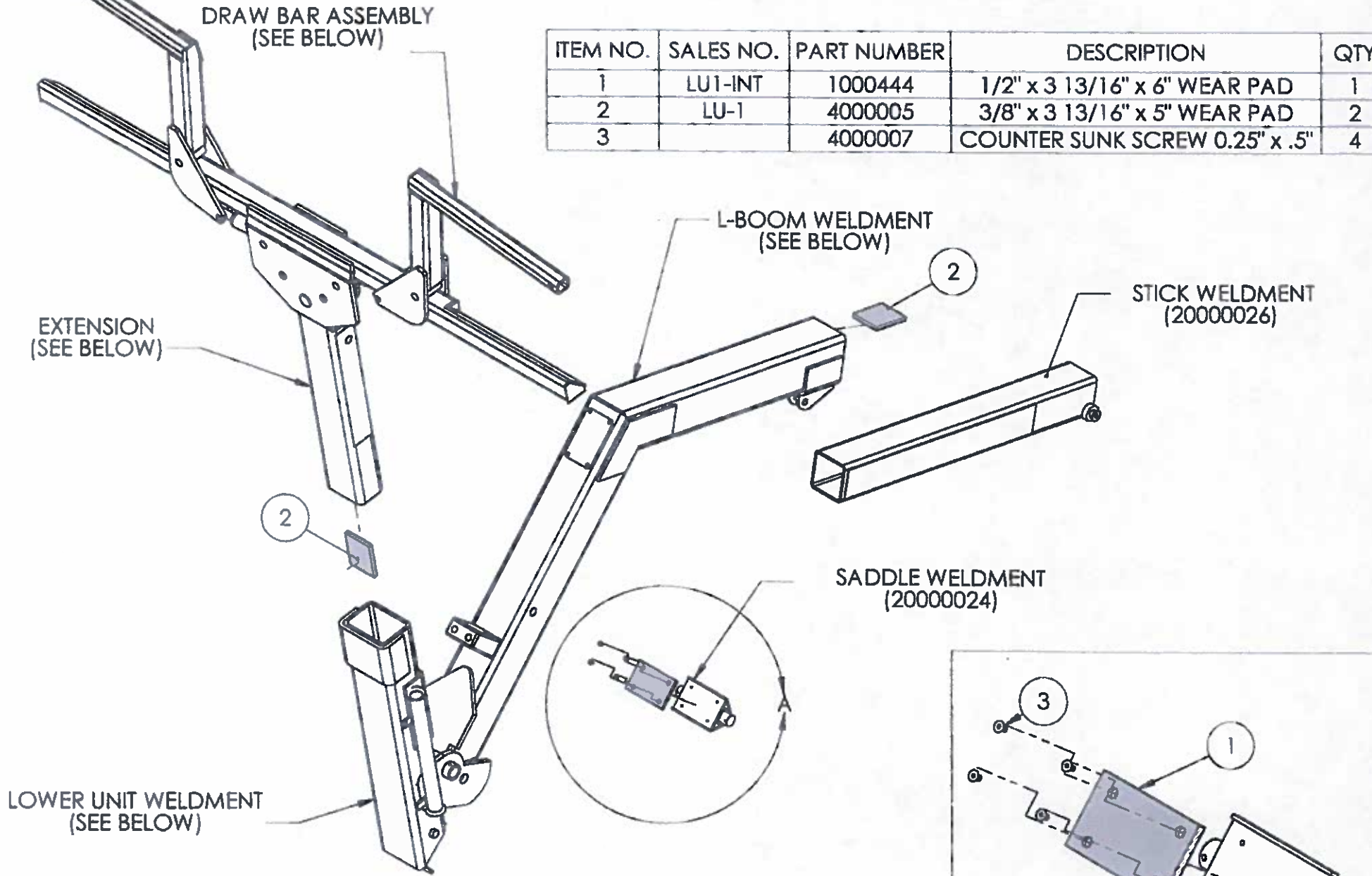
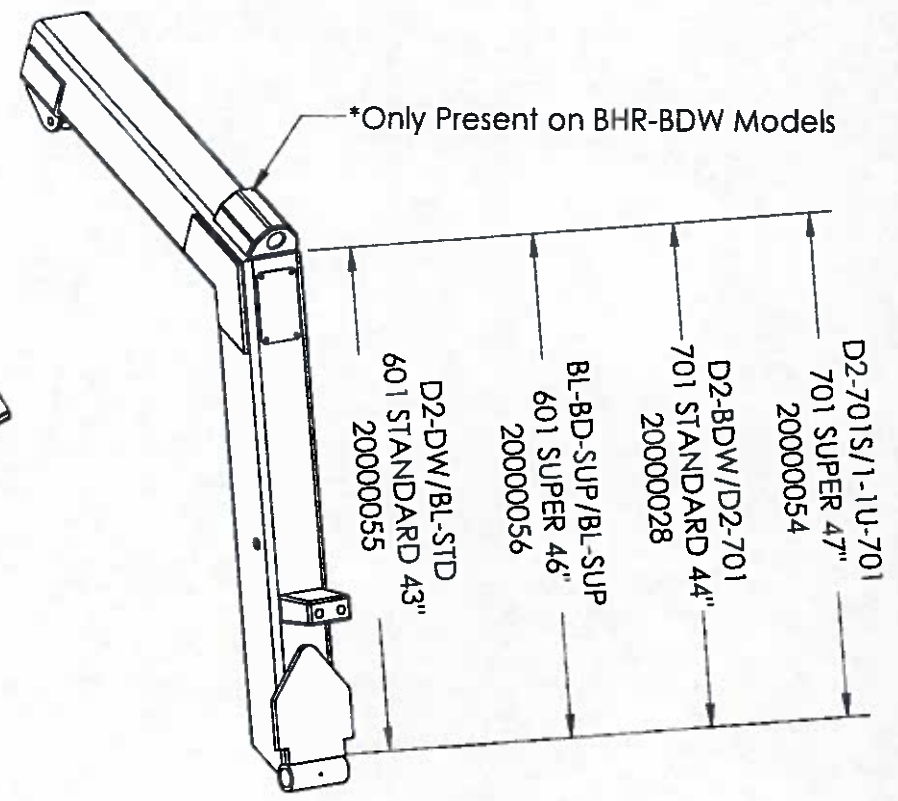
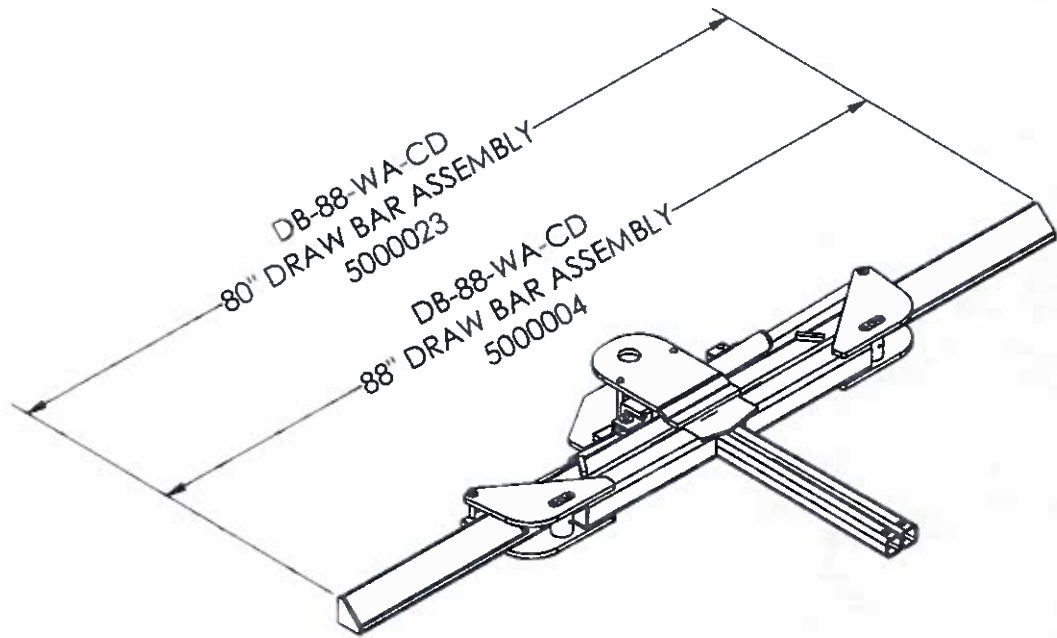


701 WEAR PAD INSTALLATION

ITEM NO.	SALES NO.	PART NUMBER	DESCRIPTION	QTY
1	LU1-INT	1000444	1/2" x 3 13/16" x 6" WEAR PAD	1
2	LU-1	4000005	3/8" x 3 13/16" x 5" WEAR PAD	2
3		4000007	COUNTER SUNK SCREW 0.25" x .5"	4

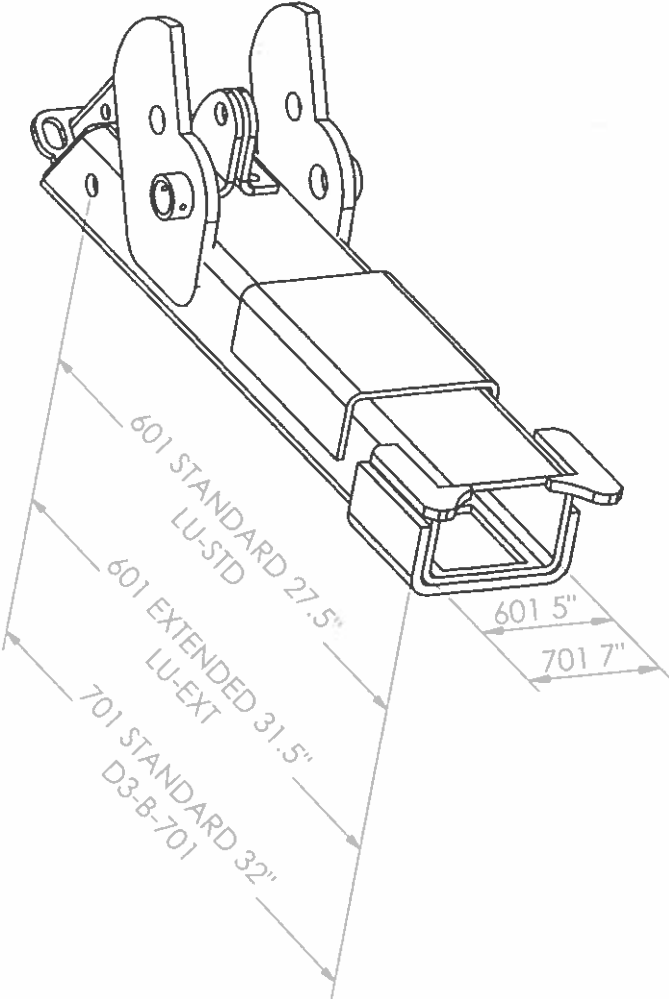


DRAW BAR AND L-BOOM VARIATIONS



601/701 LOWER UNITS AND EXTENSIONS

LOWER UNIT



EXTENSION

