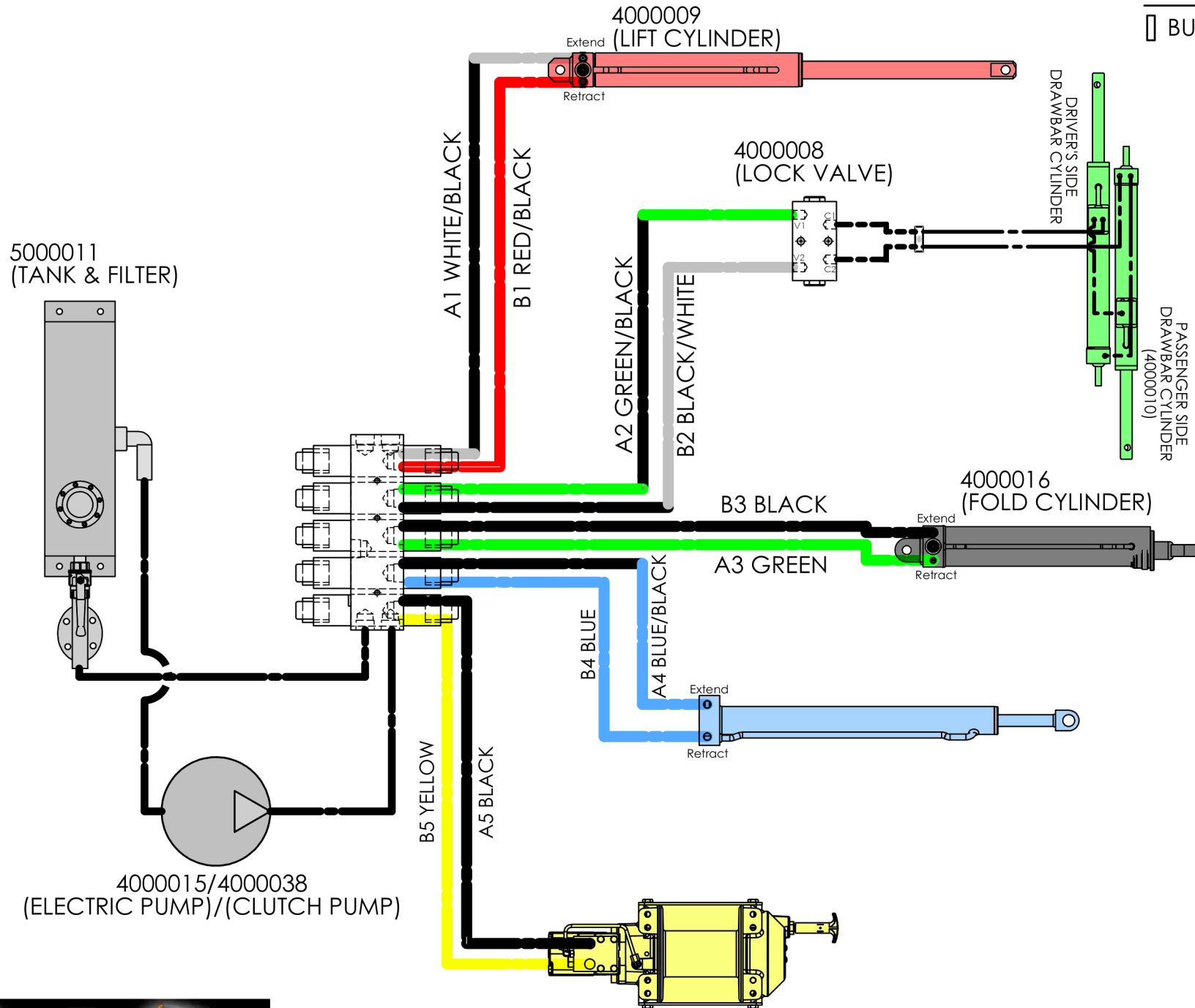


# 601 SLIDE IN HYDRAULIC SCHEMATIC

HOSING

□ BULKHEAD



REV 0 07/25/12