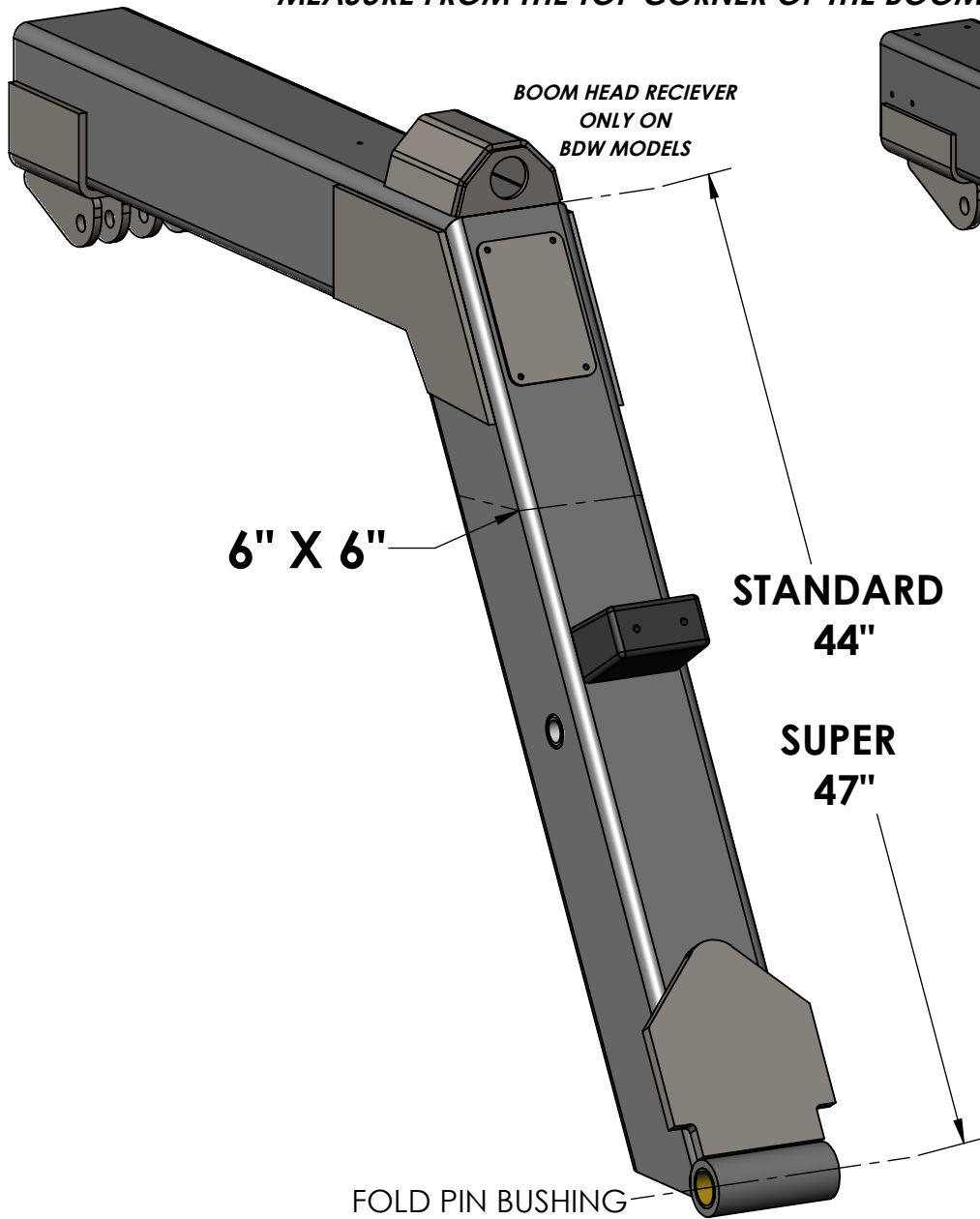


701 L BOOM

MEASURE FROM THE TOP CORNER OF THE BOOM TO THE CENTER OF THE FOLD PIN BUSHING



601 L BOOM

